

# WM Series, BLDC Motor

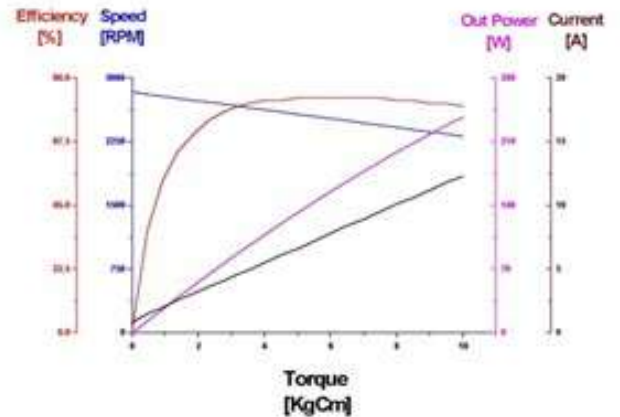
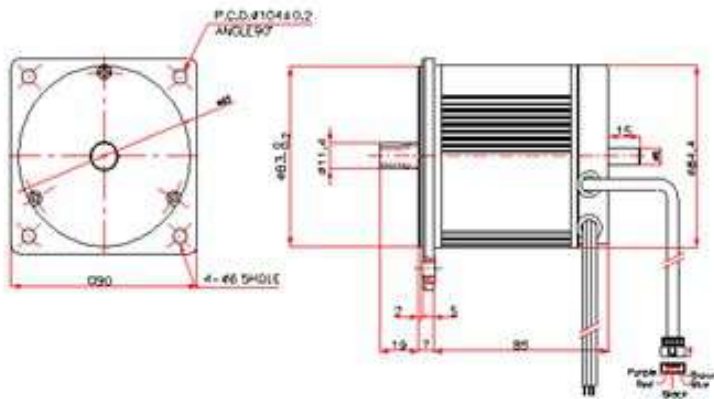
□ 90mm

## WMEB-074CAA



### Dimensions

### Characteristic Curve



### Specification

Model No	Dimension [Unit : mm]	Rated Load				
		Voltage	Current	Speed	Torque	OutPut
		[V DC]	[A DC]	[RPM]	[kg cm]	[W]
WMEB-074CAA	D84×L92	24	10	2,400	8	200