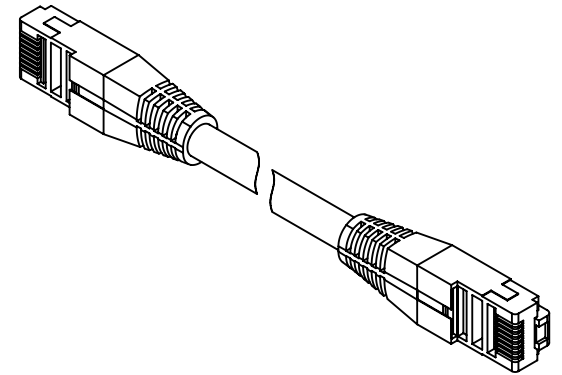
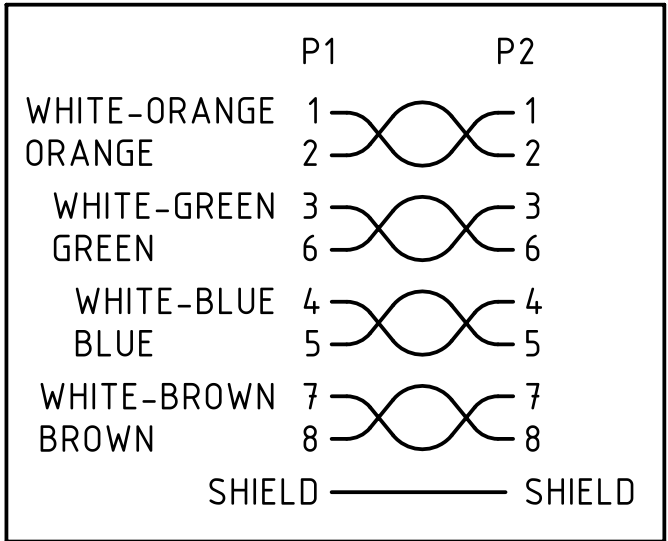


circuit diagram



| | | | | | | | |
|---|---|--|--------------------------|-----------------------------|--------------------|--|-------------|
| | All rights reserved Department EL PD | All Dimensions in mm Original Size DIN A4 | | Scale 1:1 | Free size tol. | Ref. Sub. | |
| | | Created by HELLMANN | Inspected by RIEPE | Standardisation TIEMANNA | Date 2019-09-03 | State Final Release | |
| HARTING Electric GmbH & Co. KG D-32339 Espelkamp | | Title Cable RJ45; CAT5e; 2 m | | | | Doc-Key / ECM-Nr. 100093430/UGD/003/B 500000157563 | |
| | | Type TB | Number 39 50 903 0060 | | | Rev. B | Page 1/1 |